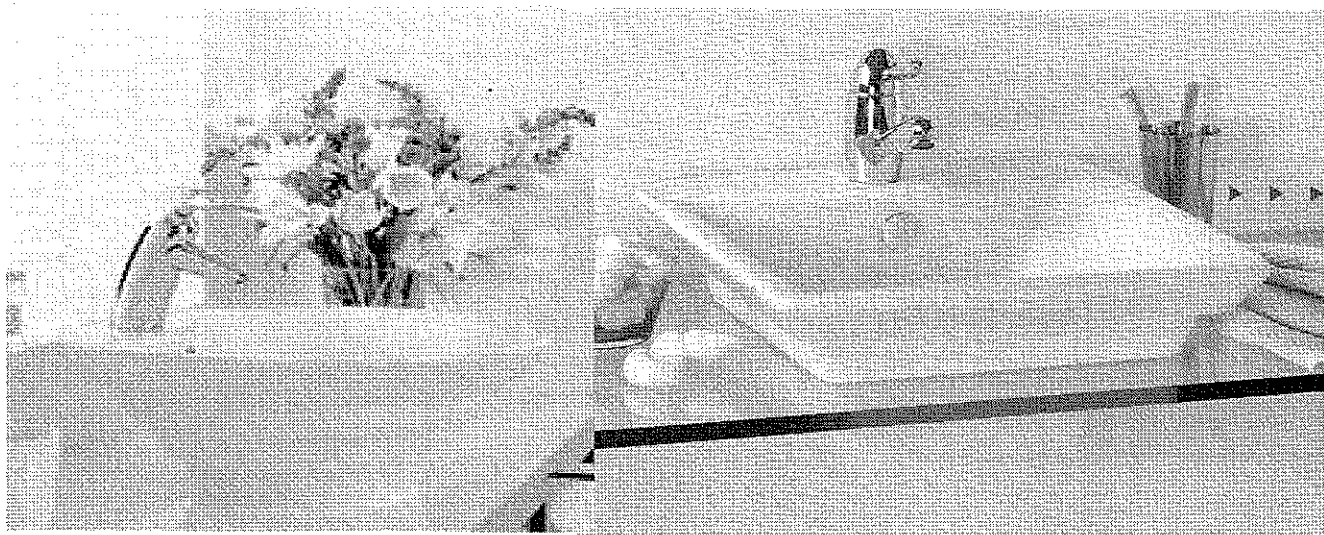




# CIRQUE / CIRQUE<sup>2</sup>

## Installation Instructions for Above Counter Basins



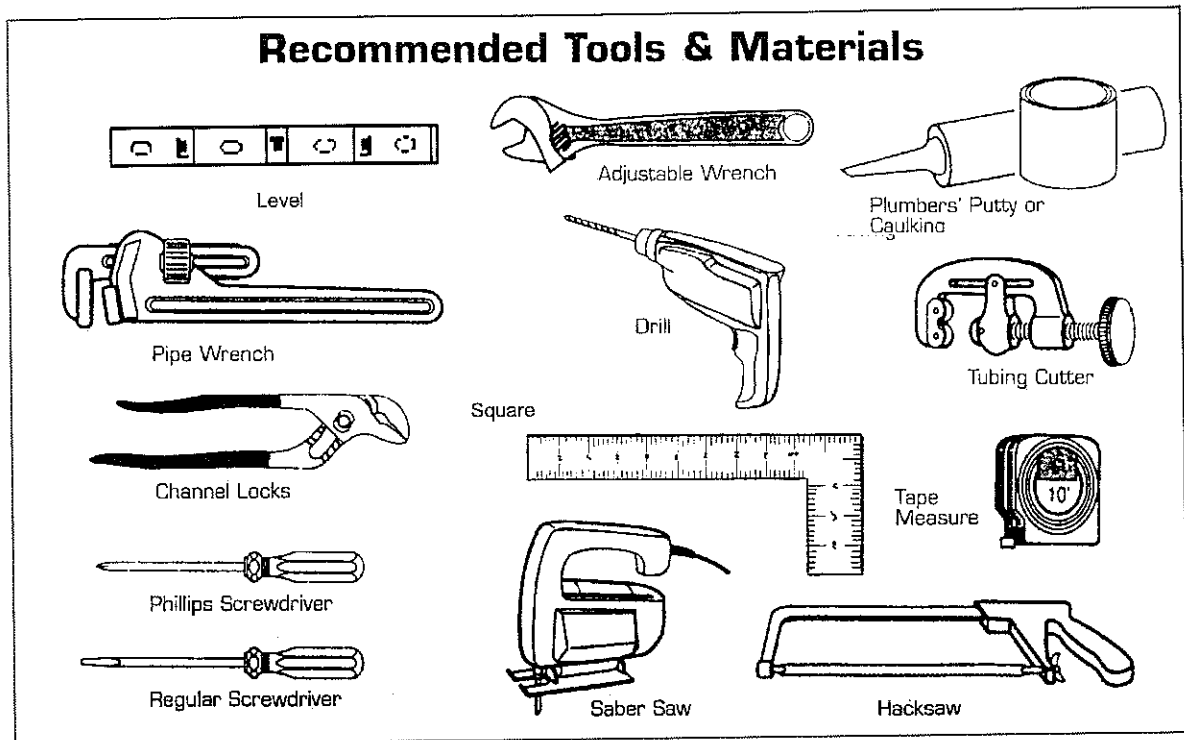
### INTRODUCTION

Thank you for selecting our Porcher product. To ensure that your installation proceeds smoothly, read these instructions carefully before you begin. Also, review the recommended tools and materials section. Carefully unpack and examine your new plumbing fixture.

**ALL INSTALLATION PROCEDURES MUST COMPLY IN STRICT ACCORDANCE  
WITH APPLICABLE LOCAL PLUMBING AND BUILDING CODES**

**TOOLS AND MATERIALS REQUIRED**

Most of the procedures require the use of common tools and materials, which are available from hardware and plumbing, supply stores. It is essential that the tools and materials be on hand before work is begun.



**REPLACEMENT USE**

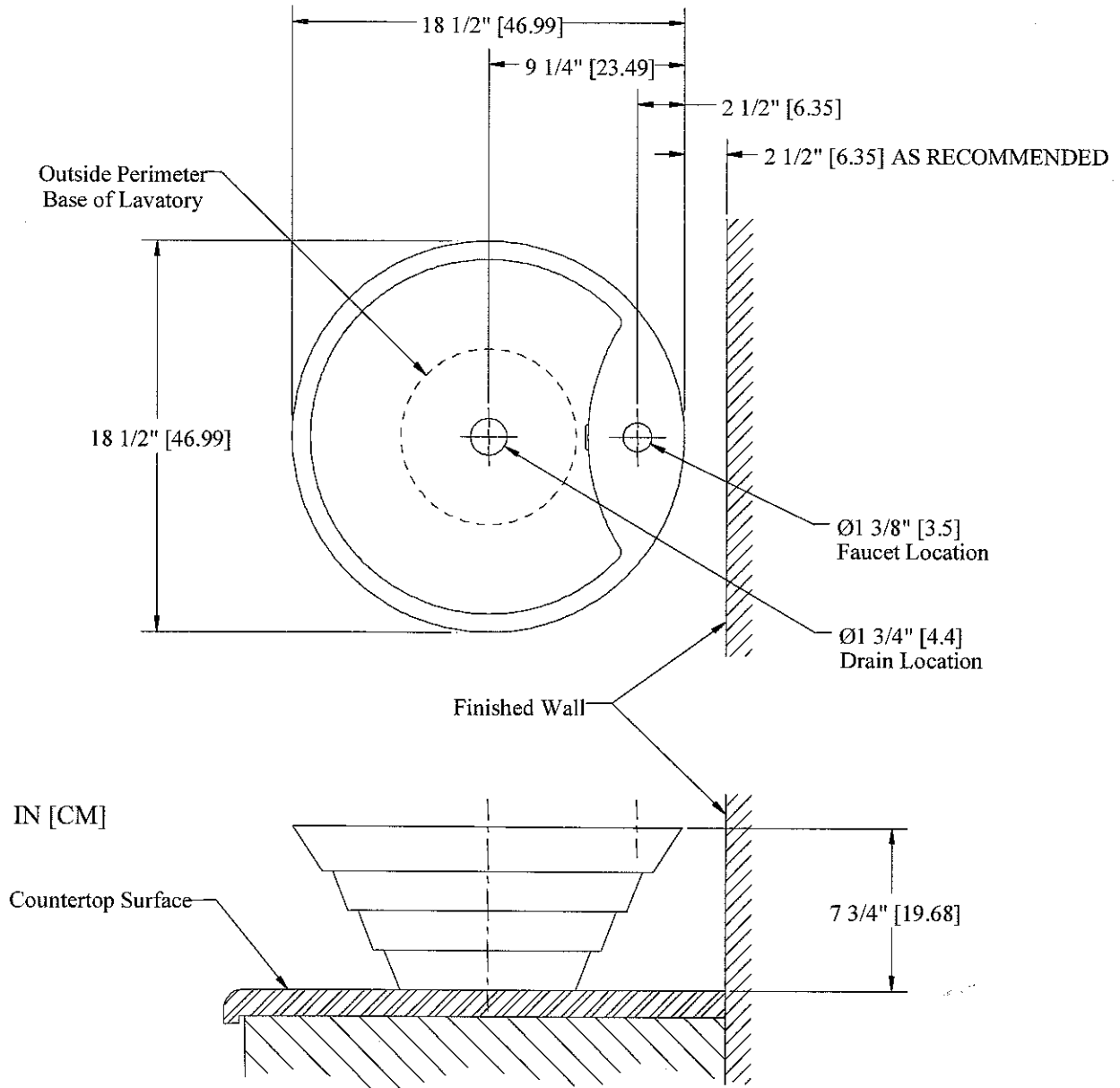
When replacing an original unit be sure to shut off water supply *before* removing the unit or disconnecting water supply lines and drain fittings. Original supply lines and shutoff valves should be replaced and used with fittings and adapters to match the hookups on the replacement unit.

**USE TEFLON SEALANT TAPE ON PIPE THREADS  
FOR WATERTIGHT CONNECTIONS!**

# DIMENSIONING DIAGRAMS

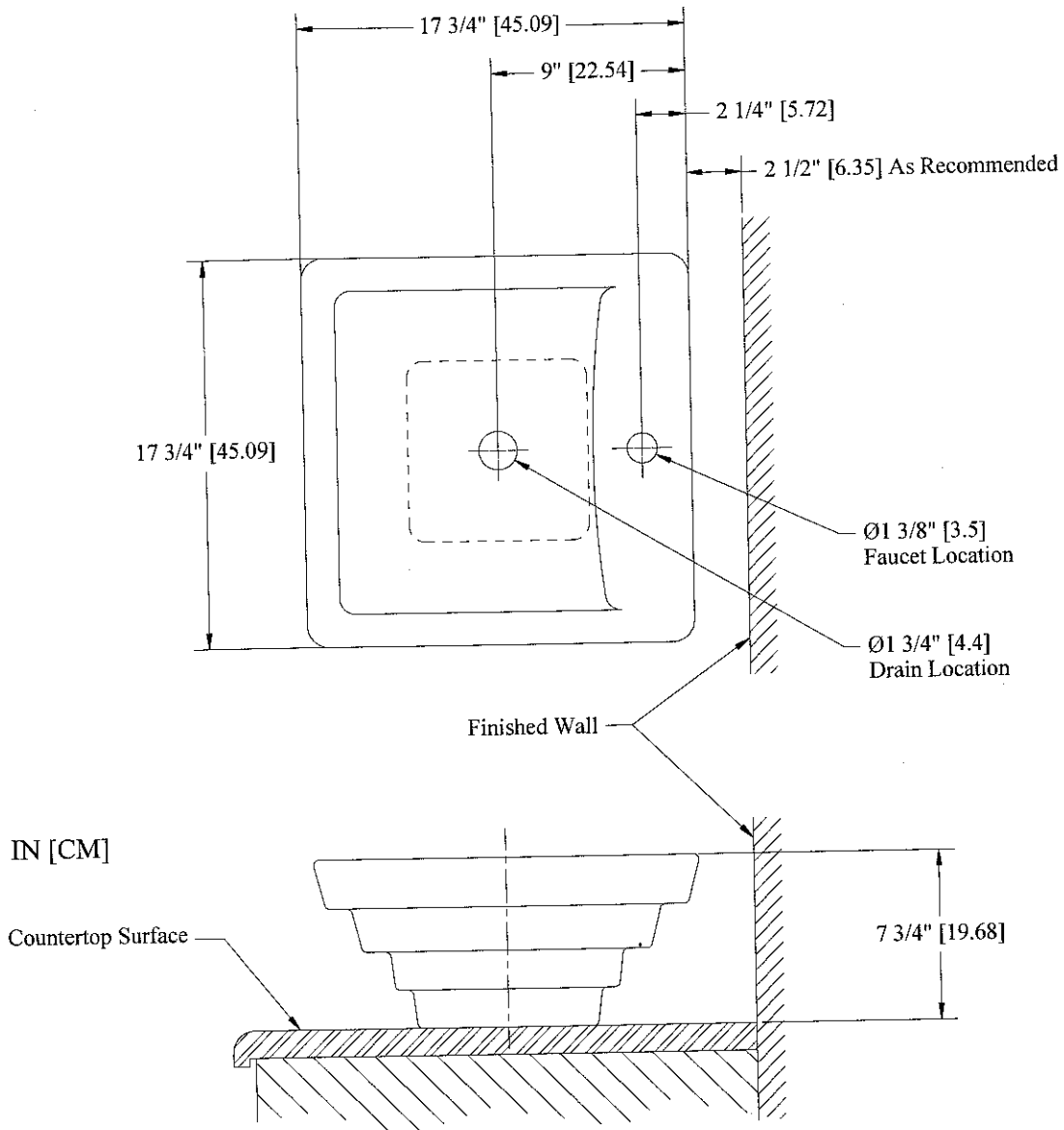
## CIRQUE BASIN

Dimensioning diagrams are provided for each basin. Note: Dimensions are nominal and may vary within the range of manufacturing tolerances.



## CIRQUE<sup>2</sup> BASIN

Dimensioning diagrams are provided for each basin. Note: Dimensions are nominal and may vary within the range of manufacturing tolerances.

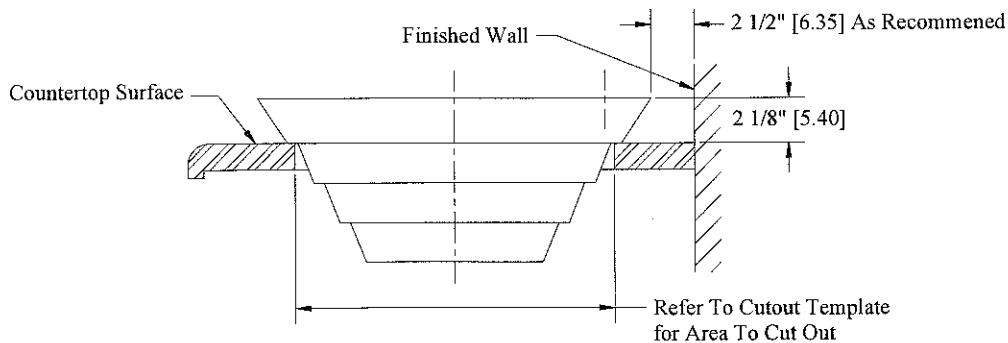
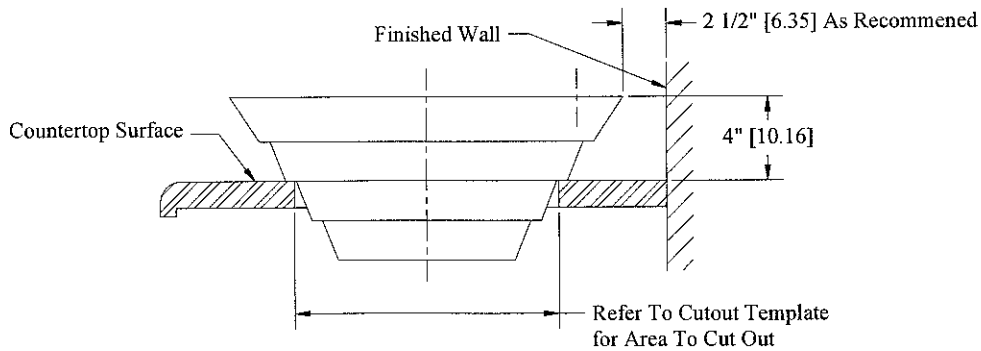
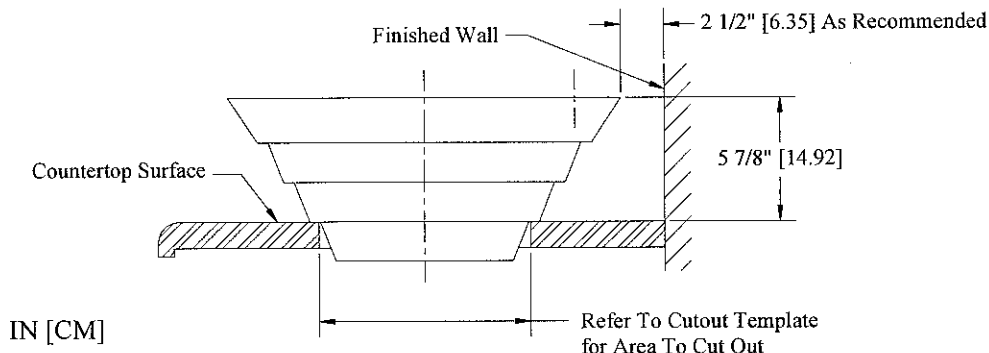
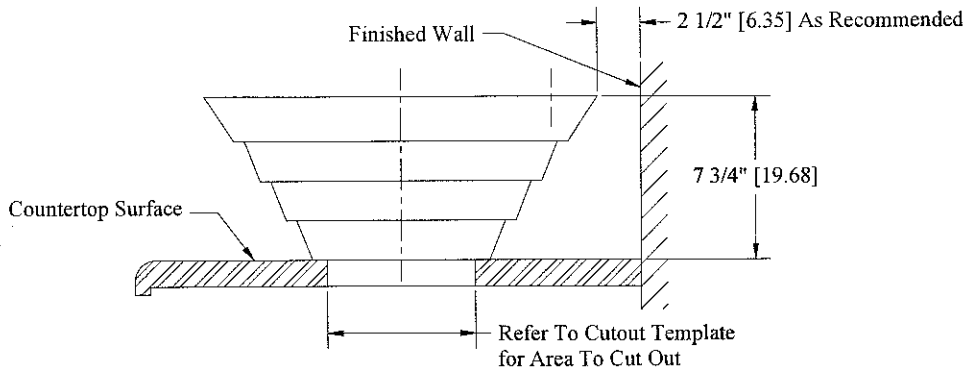


## INSTALLATION PROCEDURES

Typical installation includes installation of faucet and pop-up drain, connection of flexible water supply lines, attachment of basin to countertop, sizing and installation of drain to house water system.

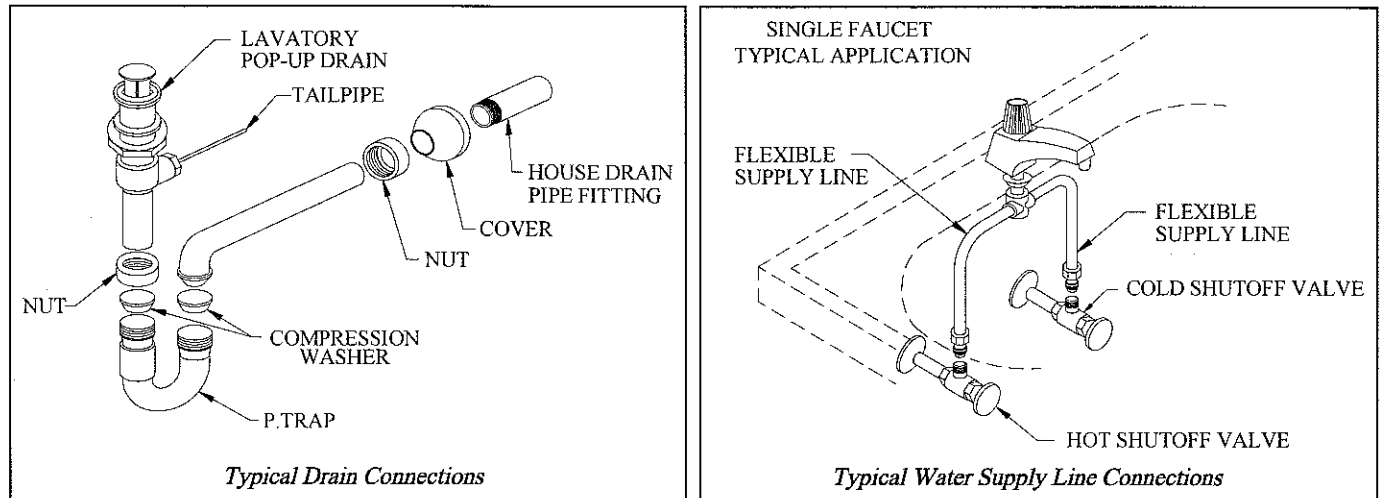
# INSTALLING BASIN

**STEP 1.** Using carpenter's square ensure that the countertop is level. Next determine if the basin will be above countertop or recessed in countertop mounted. Using supplied template carefully position template in the desired location for the basin and fasten template to the countertop. Ensure you have provided proper clearance under the countertop for the faucet, supply lines, drain assembly and the structural parts of the cabinet. Cut area indicated in countertop for your type of installation. See diagram below.

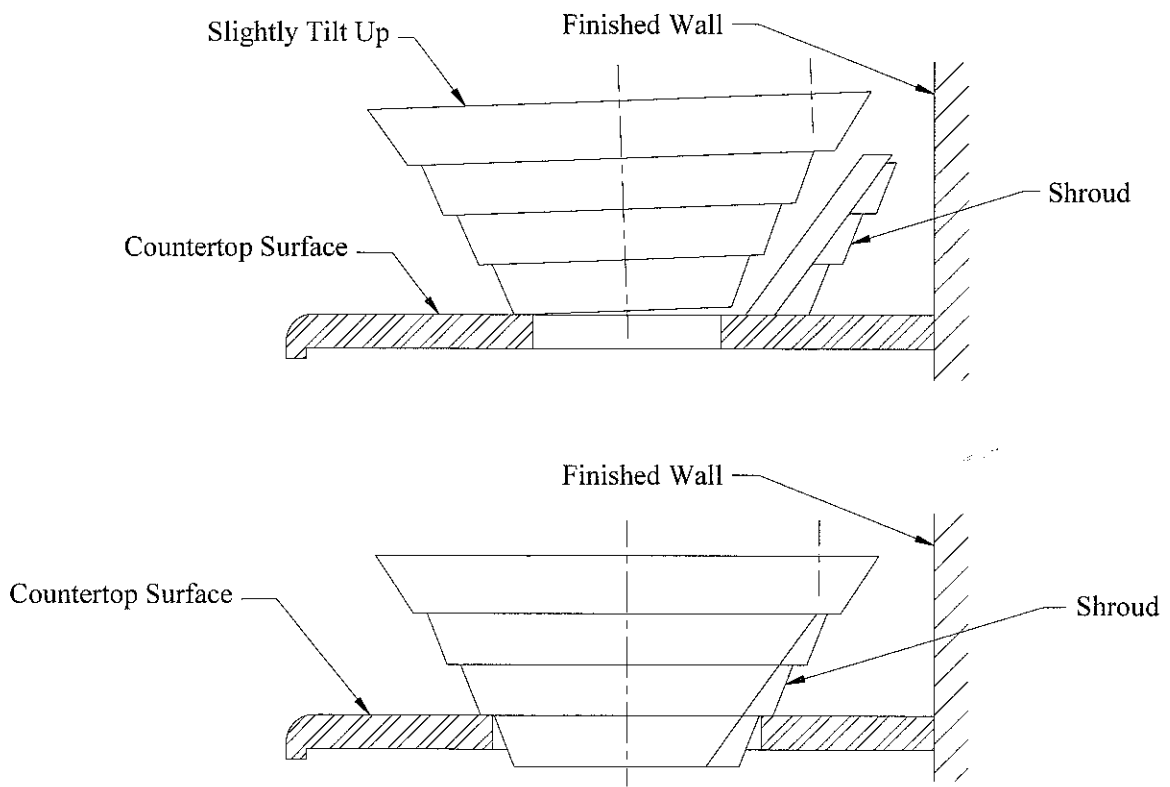


**STEP 2.** Pre-assemble P-trap drain connections in accordance with manufacturer's instructions. Check that pop-up drain opens and closes properly when drain control is operated. Connect supply lines to shutoff valves and loosely install drain connection. Install faucet and drain assembly in accordance with manufacturer's instructions to basin.

**DO NOT OVER-TIGHTEN MOUNTING HARDWARE  
OR BASIN MAY BE DAMAGED!**



**STEP 3.** Carefully place the basin within or over the cutout and ensure you have proper fit and alignment. Ensure shroud in back of basin is in place when checking proper fit and alignment. See diagram below.



**STEP 4.** Turn basin upside down and apply a sealing compound around surface that your basin will be resting on. Next carefully lower basin into position on countertop and press down firmly, add or remove extra sealing compound from around base. Ensure you include shroud when positioning basin onto countertop. Form fillet with wet finger or sponge around mating surface between basin and countertop. Carefully wipe excess compound from basin with damp cloth or sponge. Allow sealing compound to set before final connection of supply lines and drain.

**STEP 5.** Complete final drain and water supply lines connections. Ensure all connections are tight. Turn on water supply valves and water-test installation.

## **CARE AND MAINTENANCE**

Do not use harsh abrasives or caustic cleaners to clean fixture surfaces. A mild detergent, warm water, and a soft cloth will remove normal dirt and soap accumulations from fittings and surfaces. Rinse thoroughly after cleaning and polish with a soft dry cloth to restore original luster of material.

## **FIXTURE LIMITED WARRANTY**

If inspection of this Porcher plumbing product, within one year after its initial purchase, confirms that it is defective in materials or workmanship, Porcher will repair or, at its option, exchange the product for a similar model. This warranty applies to the original customer only and does not cover and gold platinum or custom hand painting. The re-firing of any china product by purchaser will null and void this warranty.

This limited warranty does not apply to local building code compliance. Since local building codes vary considerably, the purchaser of this product should check with a local building or plumbing contractor to insure local code compliance before installation.

This warranty shall be void if the product has been moved from its initial place of installation; if it has been subjected to faulty maintenance, abuse, misuse, accident or other damages; if it was not installed in accordance with Porcher's instructions; or if it has been modified in a manner inconsistent with the product as shipped by Porcher.

Porcher's option to repair or exchange the product under this warranty does not cover any labor or other costs of removal or installation, nor shall Porcher be responsible for any other incidental or consequential damages attributable to a product defect or to the repair or exchange of a defective product, all of which are expressly excluded from this warranty. (Some states or provinces do not allow the exclusion or limitation of implied warranties, so this exclusion may not apply to you.)

This warranty gives you specific legal rights. You may have other statutory rights that vary from state to state or from province to province, in which case this warranty does not affect such statutory rights.